

ELMON wicom 81-463

Quick Guide

General

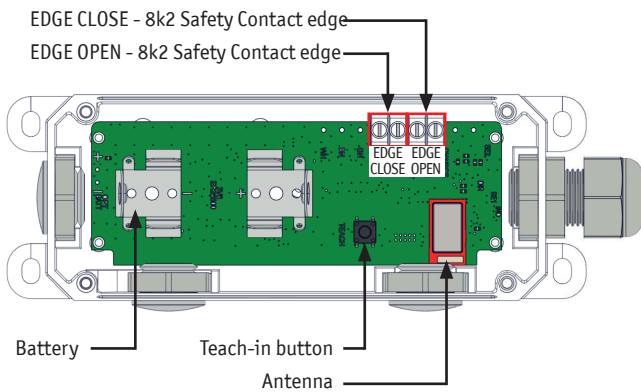
The ELMON wicom transmission system ensures wireless communication between the moving safety contact edge on the door panel and the control unit. The two-channel transmission system consists of a receiver and a maximum of three transmitters, which are connected to each other by safe radio.



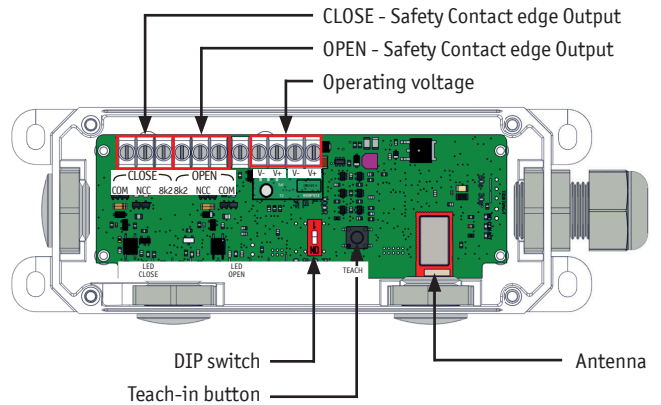
Safety instructions

Installation and start-up may only be carried out by skilled electricians. Safety rules and regulations of the electrical engineering industry and the professional association must be followed. The system must be checked for correct function in suitable intervals by qualified persons for the standard-conform design of the safety system. The check must be documented in a way that allows it to be traced at any time. We suggest an yearly battery change.

Transmitter ELMON wicom 81-463 T

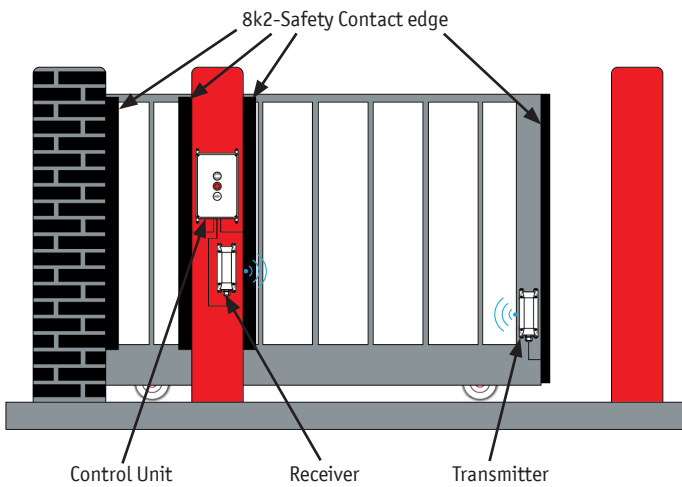


Receiver ELMON wicom 81-463 R

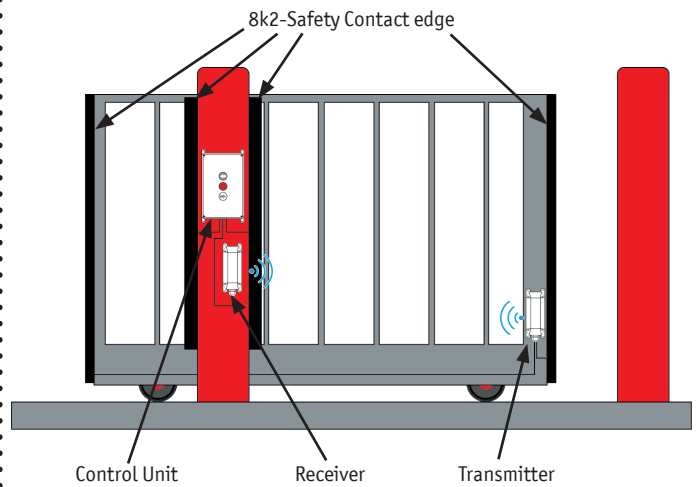


Application Example

1-Channel

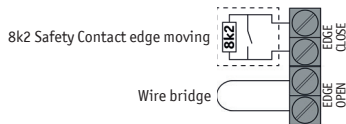


2-Channel

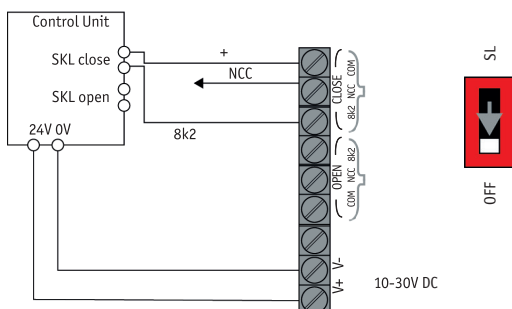


Electrical Connection

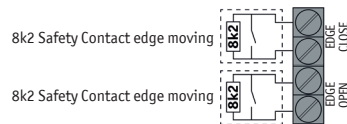
Transmitter



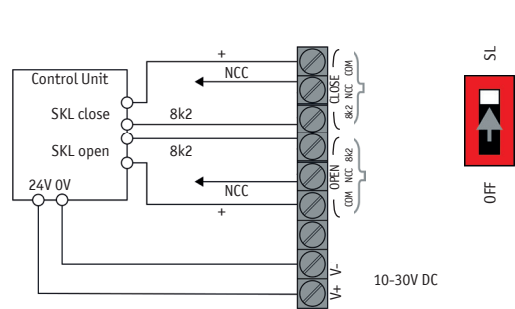
Receiver



Transmitter



Receiver

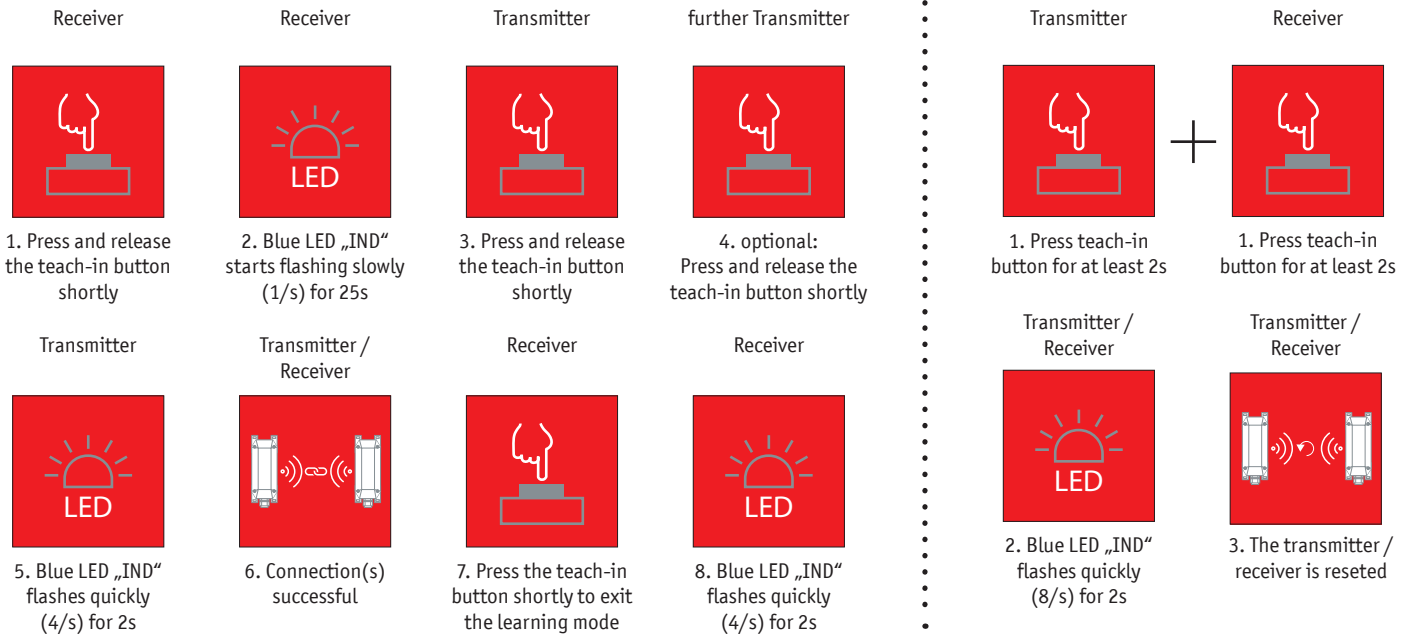


ELMON wicom 81-463

Quick Guide

Pairing

Factory setting



LED Guide Transmitter

LED	Colour	Condition	Description
IND	Blue	Blinking (1/s) for 25 s – Pushing teach-in button once after a factory reset confirmed	Teach-in sequence initiated
		Permanently on for 2 s – Pushing teach-in button once	Transmitter is connected or waiting for a connection
		Blinking (2/s) – while holding the teach-in button more than 2 s	Initiating Factory reset
		Blinking (8/s) for 2 s – after pressing and holding the teach-in button	Factory reset confirmed

LED Guide Receiver

LED	Colour	Condition	Description
POWER	Green	On	Receiver is powered on
		Off	Receiver is powered off
SL, SE2	Orange	Permanently On	Obstacle detected / Hardware test is failed / safe state
		Blinking	No obstacle / Hardware test is active
ACT	Green	Permanently On	System is active
		Blinking	System is in standby mode
CON	Orange	Permanently On	Receiver and transmitter are connected
		Blinking slow (1/s)	One or more transmitter are missing or out of range One or more transmitter report(s) low battery state
		Blinking fast (4/s)	Radio interferences are too high (e.g. Wi-Fi or Bluetooth)
IND	Blue	Blinking fast – while not pushing the teach-in button	Delay on radio connection (timeout) / One or more transmitter are missing, out of range, blocked, interfered etc.
		Blinking (1/s) for 25 s – Pushing teach-in button once after a factory reset confirmed	Teach-in sequence initiated
		Permanently on for 2 s – Pushing teach-in button once	Receiver is connected or waiting for a connection
		Blinking (2/s) – while holding the teach-in button more than 2 s	Initiating Factory reset
		Blinking (8/s) for 2 s – after pressing and holding the teach-in button	Factory reset confirmed

Technical Data

Inputs	8k2
Outputs	8k2, NCC
Range	20m*
Operating voltage	10-30V DC
Reaction time	40ms
Frequency	2,4GHz
Power consumption Receiver	Typ.: 18mA (24V DC)
Max. voltage (all outputs)	30V
Max. current load (all outputs)	1A
Safety properties	Cat. 2 / PL „c“ (intrinsically safe)
Operation temperature	-20°C to 55°C
Housing material	PC
Protection type	IP65
Battery life time	approx. 2 years
Dimensions	130x94x60mm

* under optimal conditions

Declaration of conformity

We hereby declare that the following product of the model range:
ELMON wicom 81-463
 that as a result of the manner in which the product was designed, the type of construction and the product which, as a result have been brought on the general market comply to the relevant basic health and safety regulations of the following EC Council Directive:
prEN 12978: 2017
EN 13849-1:2016



Attention!

This document does not replace the operating instructions. For detailed information, the operating instructions must be downloaded from our website and used. This company is not responsible for damage or problems resulting from misuse, incorrect installation or violation of the instructions mentioned in the manual.



<https://www.asosafety.co.uk/downloads>